

BALLOON LIGHT FIXTURE

SD-BLF-100WRGB-G3

RGBW **100 WATT**

360° Diffused Glare-Free Illumination • Inflatable Balloon Light Diffuser



12,000
LUMEN



RGBW
COLOR



50,000
LASTING
HOURS



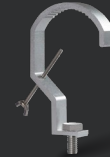
90-277
VOLT



EYE BOLT
SD-IBOLT-G1



TRIPOD ADAPTER
SD-TA-G1

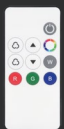


2" C-CLAMP
SD-2CS-ECON-G1



FIXTURE CARRY BAG
SD-BLF-CB-SS-G3

LIFETIME WARRANTY



REMOTE CONTROL
SD-RGB100REMOTE-G3

100W RGBW BALLOON LIGHT FIXTURE
SD-BLF-100WRGB-G3



SeeDevil
APP CONTROLLED BALLOON LIGHT

- Quick and easy setup
- Glare-free lighting and wide area coverage
- Lightweight, versatile, portable and compact
- 12,000 lm, < 0.89 op amp, 90-277V input
- RGB LED + white LED color changing
- Variable colors and dimmable wireless remote
- Internal blower inflates balloon and cools LED panels
- LED Balloon Light diffuser constructed of heat-and-water-resistant, UV protected nylon
- Run multiple units on one 2000W generator
- 16' spec. grade power cord

BALLOON LIGHT FIXTURE

SD-BLF-100WRGB-G3

RGBW

100
WATT

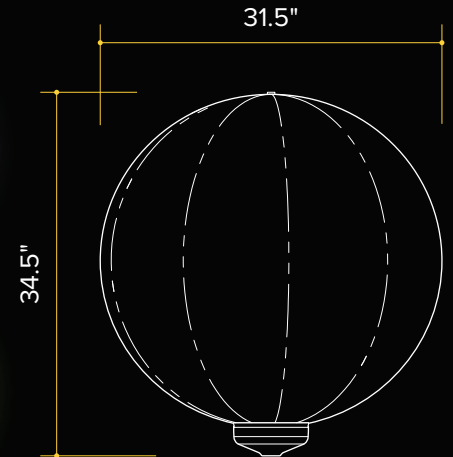
RGBW COLORS

Infinite color changing with DIM / STROBE / FADE effects



20+ COLOR PRESETS & EFFECTS

DIMENSIONS



SPECIFICATIONS

Product Name:	100 Watt RGBW Balloon Light Kit
Voltage:	AC 90–277V
Frequency:	50/60 Hz
Operating Amperage:	0.89A (white color mode)
Power Consumption:	107W
Operating Temperatures:	-30–130°F
Luminous Flux:	12,000 lm (white color mode)

Lamp Life:	50,000 hours
IP Rating:	IP 42
Operating Decibel:	59dB
Weight:	7.5 lb (fixture)
Power Cord:	16ft
Warranty:	Lifetime Limited Warranty (fixture)

FEATURED ACCESSORIES (not included)



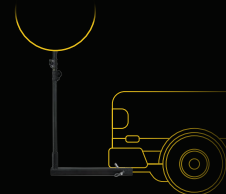
6.5' TRIPOD
SD-ST5-G3



2" HEAVY-DUTY C-CLAMP
SD-2CS-G1



500W 560WH PORTABLE POWER STATION
SD-PPS500-G1



STANDARD SERIES TRUCK HITCH MOUNT
SD-HITCHKIT-SM-G1

Visit SeeDevil.com for a comprehensive list of accessories



SeeDevil

Control your light with SeeDevil App



DESIGNED IN THE USA

MADE IN CHINA