

LED-DRJ 60W

12/24V DC CONSTANT VOLTAGE DRIVER

The LED-DRJ Series features universal 100-277V AC power input with high reliability and Class 2 rating. Standard built-in protections include short circuit, over-current, over-voltage, and over temperature. Used commonly with DMX decoders and controls for secondary side dimming, they can also be used in non-dimming applications (minimum loads apply). Durable aluminum housing features integrated junction box and wet location rating.

- 12V or 24V DC constant voltage hardwire driver
- Non-dimmable option for installations where primary side dimming is not needed
- Short circuit, over-load, and over-temperature protections
- Slim, compact aluminum housing design (only 1.72" tall)
- Integrated wiring compartment
- Free air convection cooling
- Class 2, Class P, Type HL, FCC compliant
- cULus Listed, Wet location rated

PROJECT: _____

TYPE: _____

LOCATION: _____

CATALOG NUMBER: _____

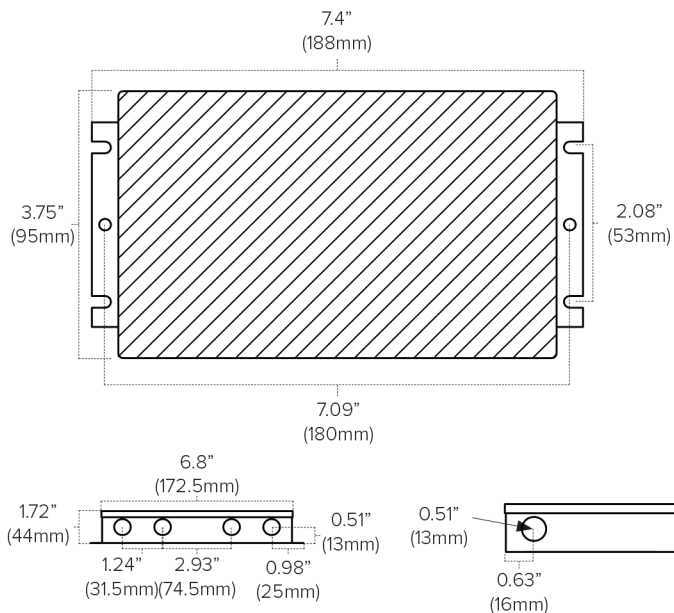


ADAPTIVE - 60W QUICK SPECS

SERIES	ADPT-DRJ 60W
INPUT VOLTAGE	100-277V AC
INPUT CURRENT	0.9A
OUTPUT VOLTAGE	12VDC / 24VDC
RATED CURRENT	5A@12VDC / 2.5A@24VDC
POWER FACTOR	0.95
MIN LOAD	6W
MAX LOAD	60W
EFFICIENCY	> 83%
DIMENSIONS	7.4" (188mm) L x 3.6" (90mm) W x 1.02" (40mm) H
DIMMING	Non-Dimming
STORAGE TEMP	-40°F to 176°F (-40°C to 80°C)
AMBIENT TEMP	-40°F to 140°F (-40°C to 60°C)
OPERATING TEMP	-40°F to 140°F (-40°C to 60°C)
RATING	cULus Listed for Wet locations

*Recommended: Do not load a driver more than 90% of max load.

LED-DRJ 60W DRIVER QUICK DIMENSIONS



LED-DRJ 60W DRIVER ORDERING INFORMATION

ITEM NUMBER	DESCRIPTION	INPUT VOLTAGE	OUTPUT VOLTAGE	MIN LOAD	MAX LOAD
LED-DRJ-60-12	60W constant voltage driver	100-277V DC	12V DC	6W	60W
LED-DRJ-60-24	60W constant voltage driver	100-277V DC	24V DC	6W	60W

ADAPTIVE - 60W WIRING DIAGRAM

